

Imperial
lunch
& Mfg., Inc.

**2016 23rd Ave.
Rockford IL 61104**

**(815)226-8200 Phone
(815)226-8208 Fax**

Manufacturers Of Quality Tooling For The Metal Forming Industry

HEADER TOOLING CATALOG



Imperial Punch & Mfg., Inc. manufactures high quality tooling for **Header** Machines, **Punch** Presses, and **Nut** and **Part Former** machines.

We are ready to work from your print, or from our catalog print. This catalog is designed to offer basic print structure. All you need to do is fill in the dimensions and send us your request.

Prints Included in this Catalog:

<u>Page #'s</u>	<u>Description</u>
1-3.....	Blows/Plugs <i>First Blows, Sliding First Blows, First Blow Plugs</i>
4-10.....	Casings <i>Die Casings, Insert Casings, Insert Collar Casings, Punch Casings</i>
11.....	Inserts
12-13.....	Packings <i>Die Packings, Solid Packings</i>
14-15.....	Pins <i>Hex Pins, Knock Out Pins</i>
16.....	Quills
17.....	Sleeves
18-19.....	Wafers <i>Round Wafers, Tapered Wafers</i>

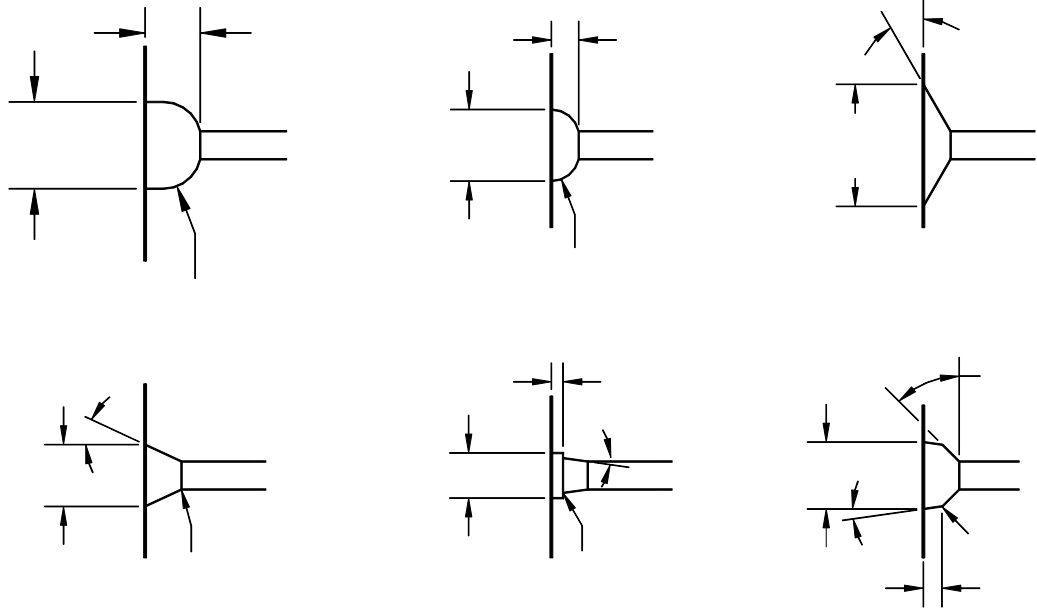
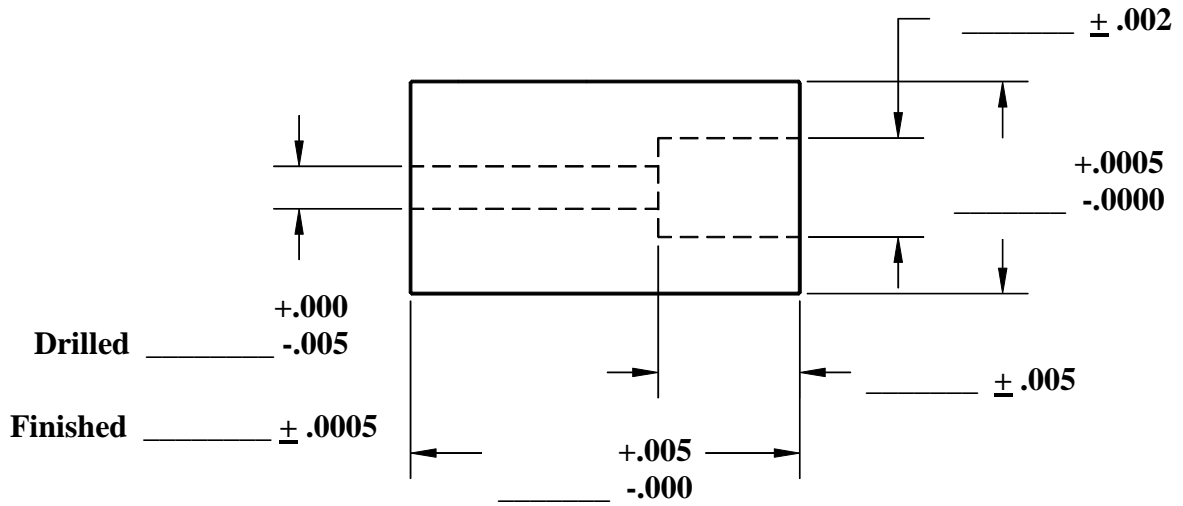
**Fax or email quotes to
815-226-8208/tooling@imperialpunch.com**

**We welcome and appreciate the opportunity to
help with your tooling needs!**

Manufacturers Of Quality Tooling For The Metal Forming Industry Since 1973



1st Blow

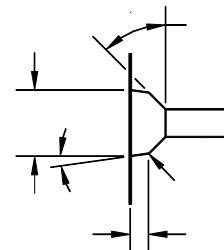
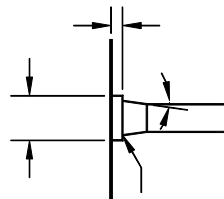
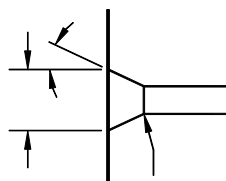
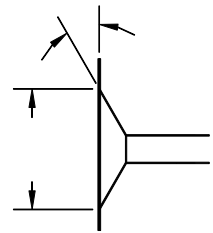
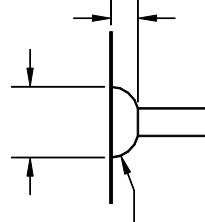
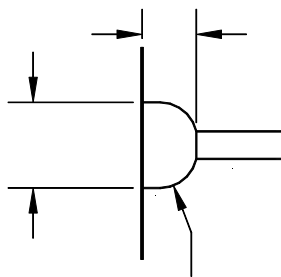
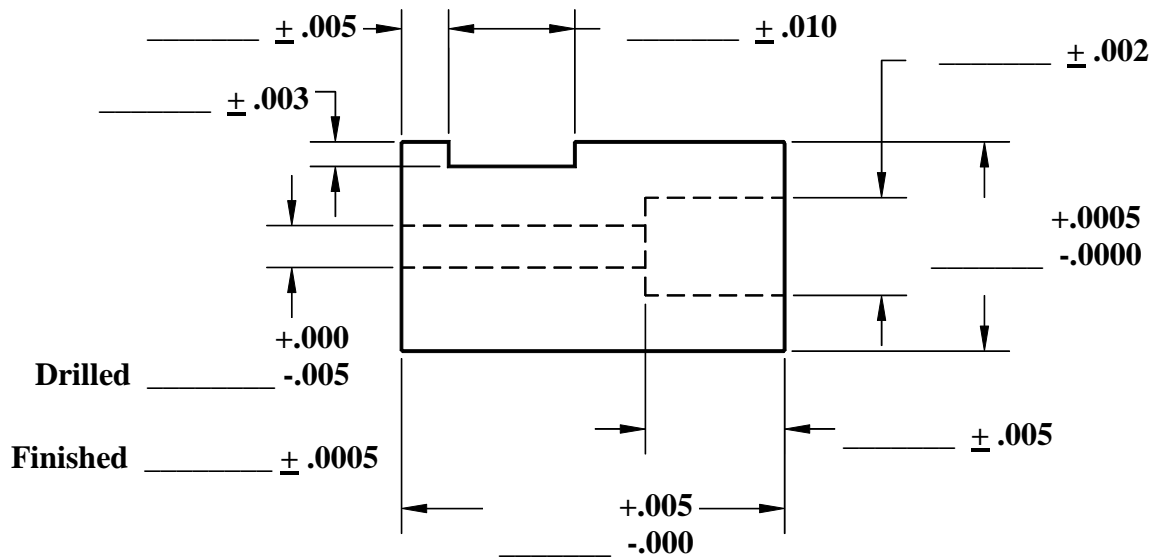


S-7 R/C 56-59

Break O.D. corners



Sliding 1st Blow

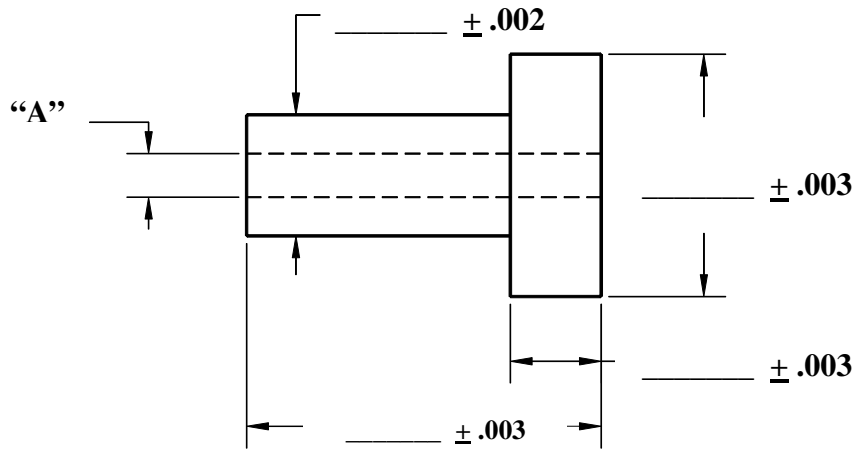


S-7 R/C 56-59

Break O.D. corners



1st Blow Plug



"A"= Drilled $\begin{matrix} +.000 \\ - .005 \end{matrix}$

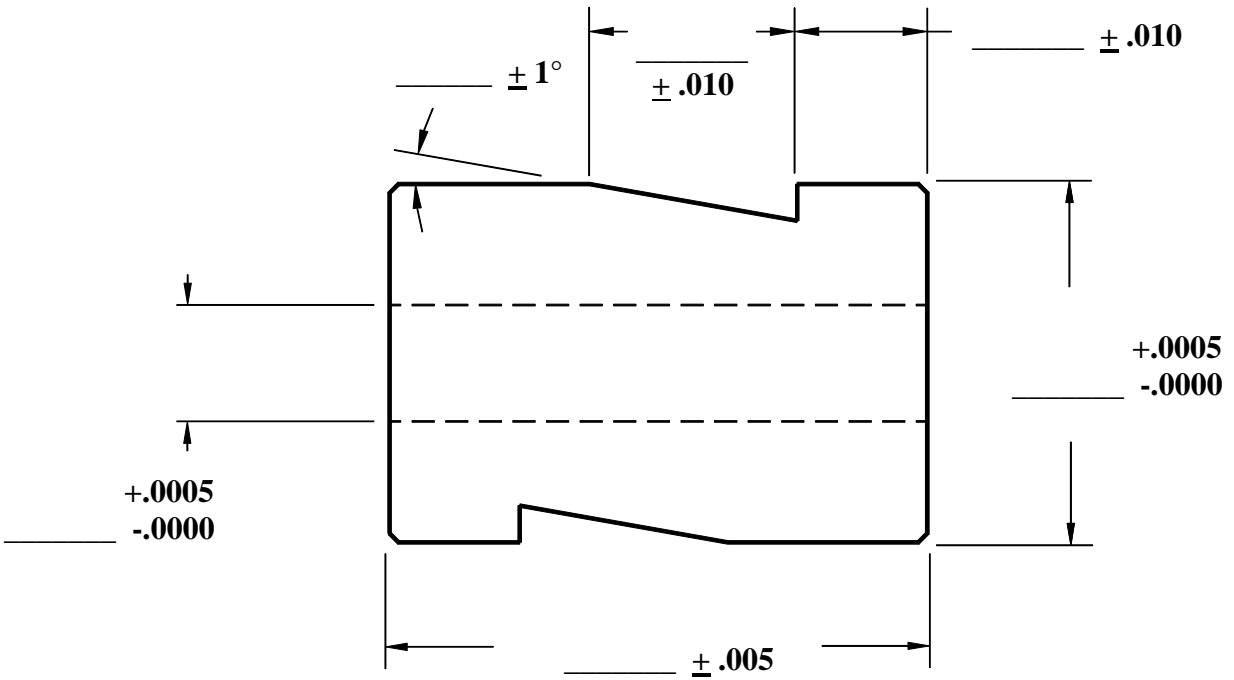
"A"= Finished $\begin{matrix} +.0005 \\ - .0005 \end{matrix}$

O-1 R/C 58-61

Break all O.D. corners



Die Casing

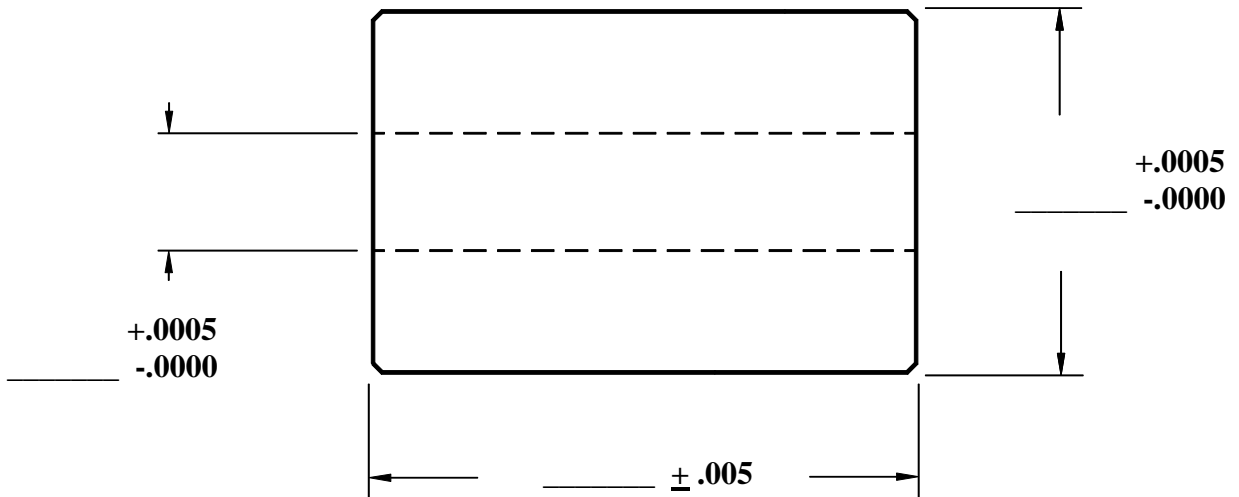


H-13 R/C 46-49

Chamfer O.D. corners



Die Casing

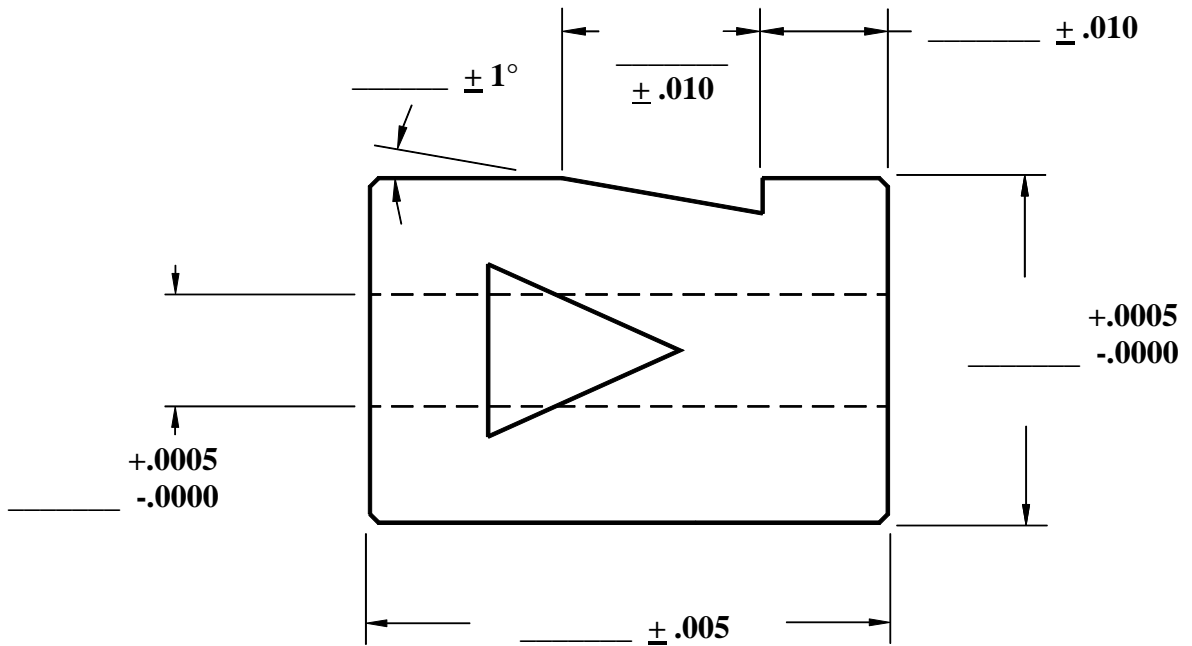


H-13 R/C 46-49

Chamfer O.D. corners



Die Casing

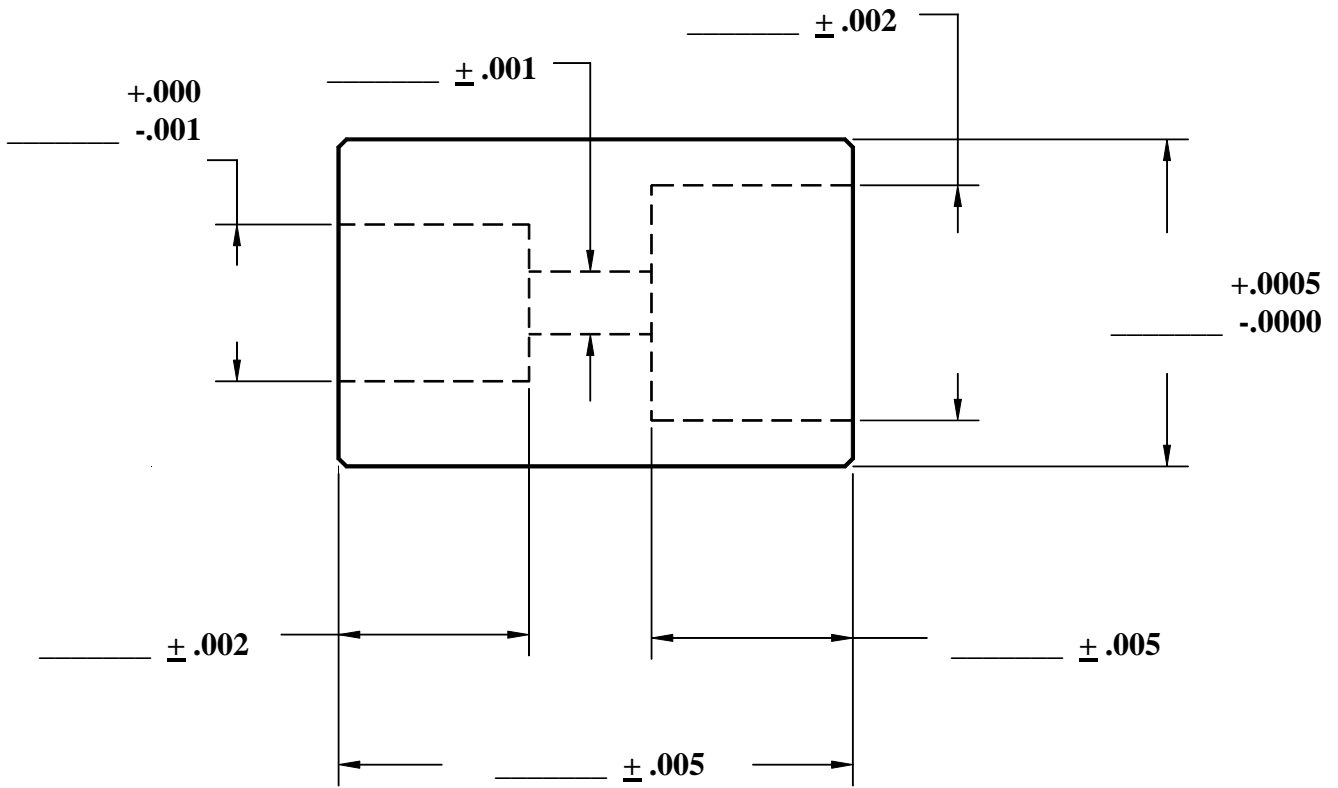


H-13 R/C 46-49

Chamfer O.D. corners



Insert Casing

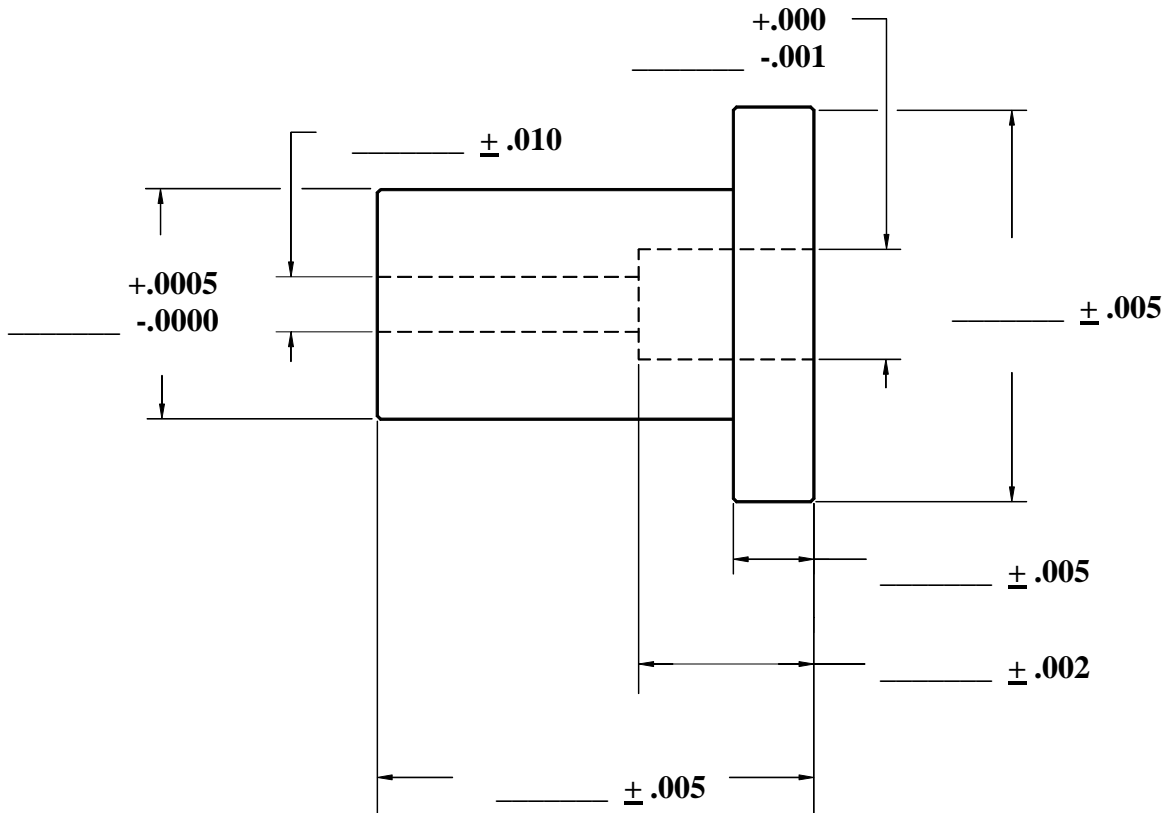


H-13 R/C 46-49

Chamfer O.D. corners



Insert Collar Casing

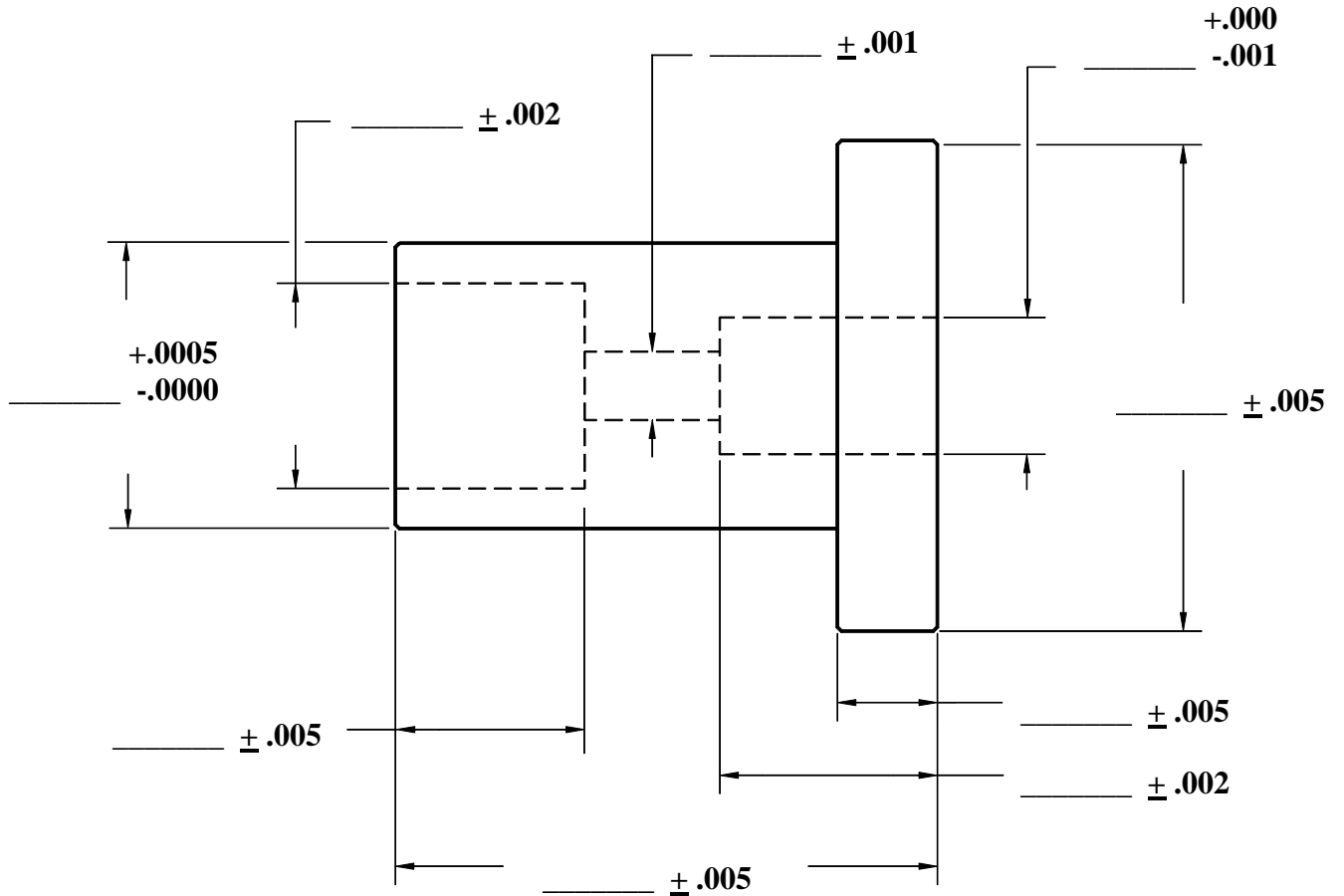


H-13 R/C 46-49

Chamfer O.D. corners



Insert Collar Casing

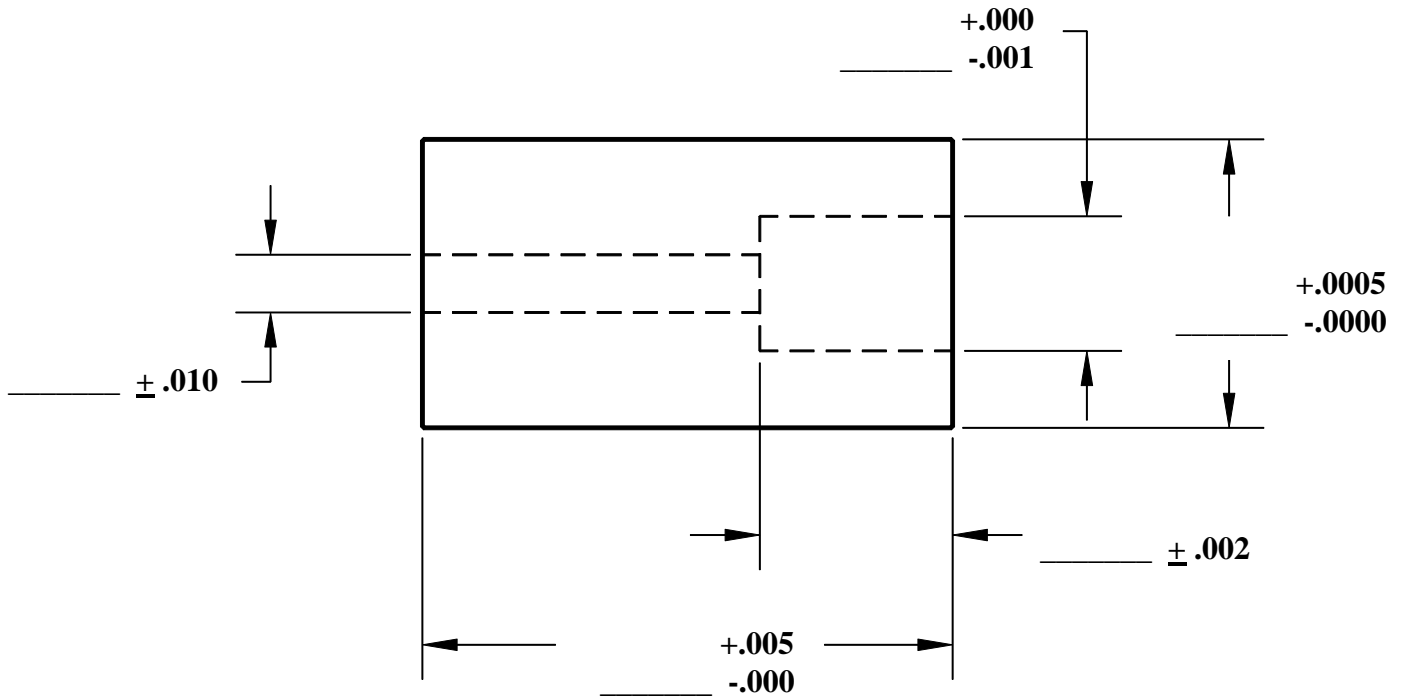


H-13 R/C 46-49

Chamfer O.D. corners



Punch Casing

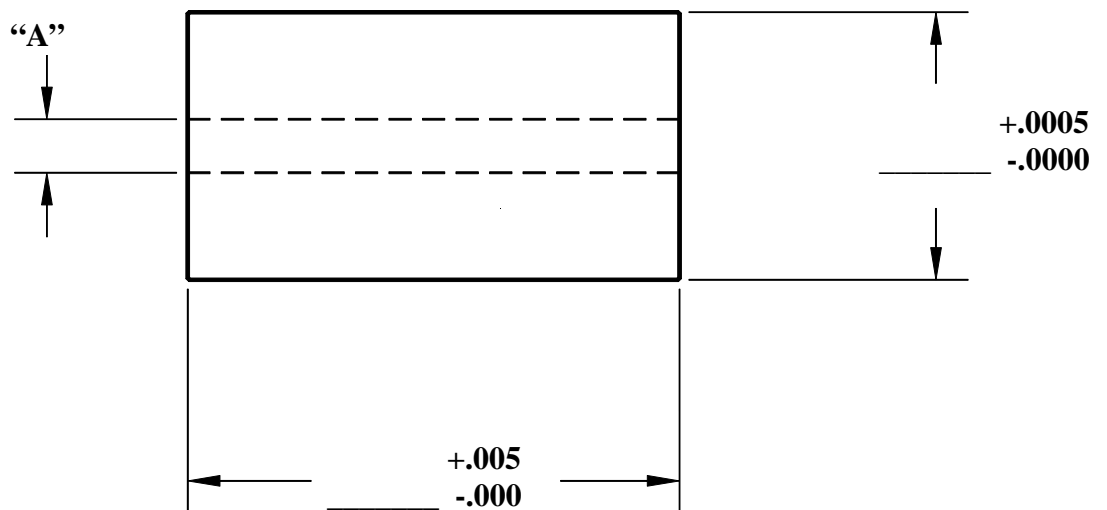


H-13 R/C 46-49

Chamfer O.D. corners



Insert



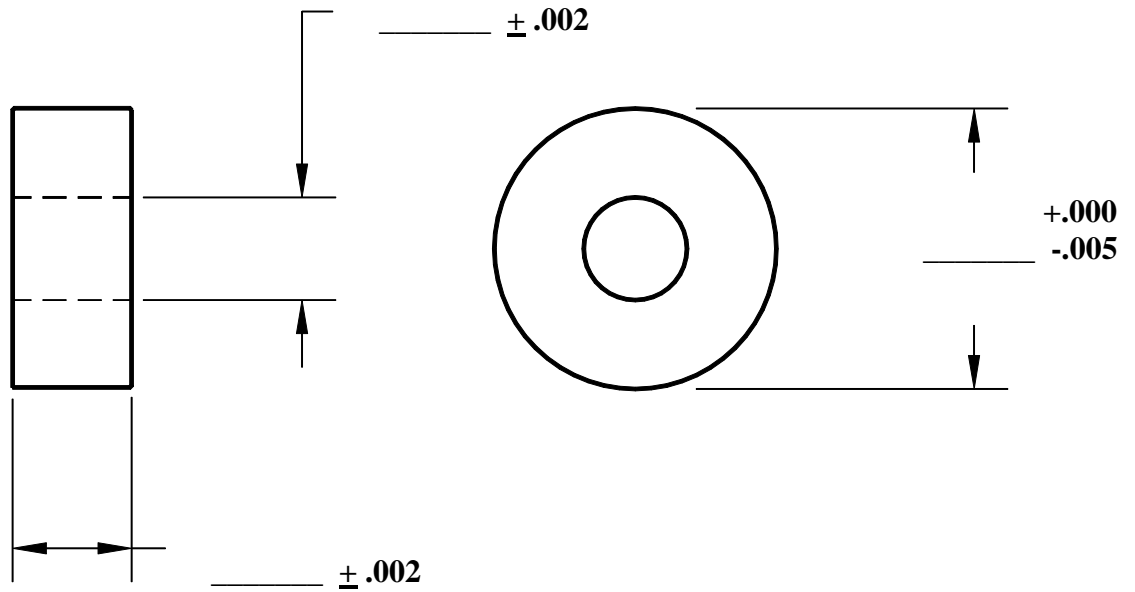
"A" = Drilled	_____	+ .000
		- .005
"A" = Finished	_____	+ .0005
		- .0005

M-2 R/C 60-62 or D-2 R/C 58-60

Corners are sharp



Die Packing

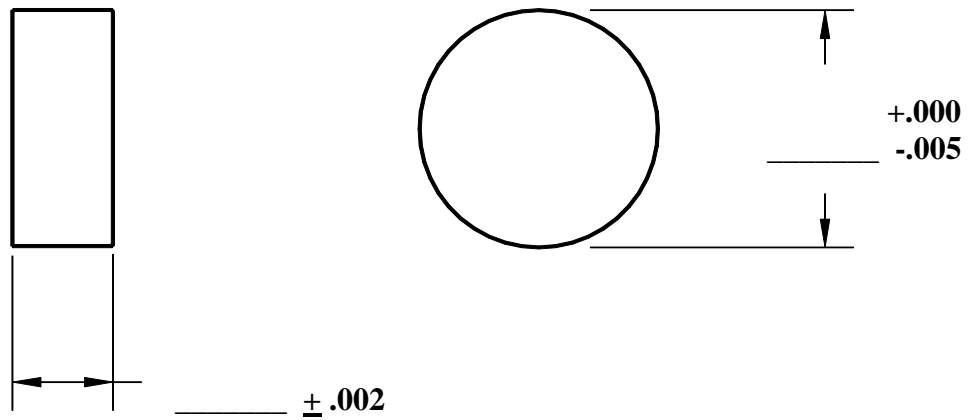


O-1 R/C 58/61 OR S-7 R/C 56/59

Break O.D. corners



Solid Packing

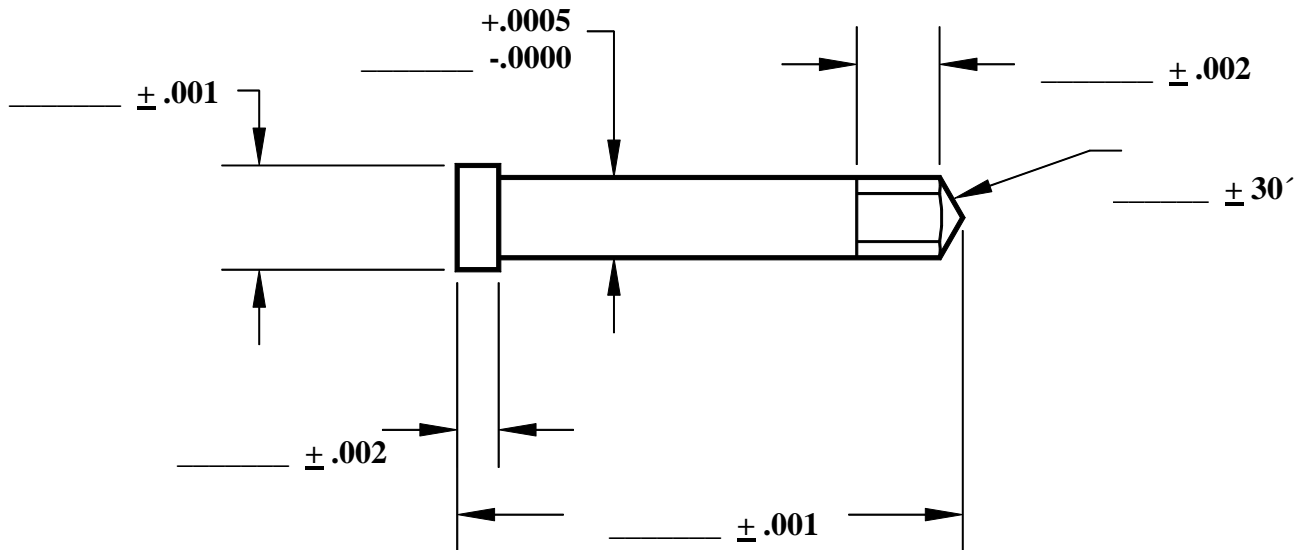


O-1 R/C 58/61 OR S-7 R/C 56/59

Break O.D. corners



Hex Pin



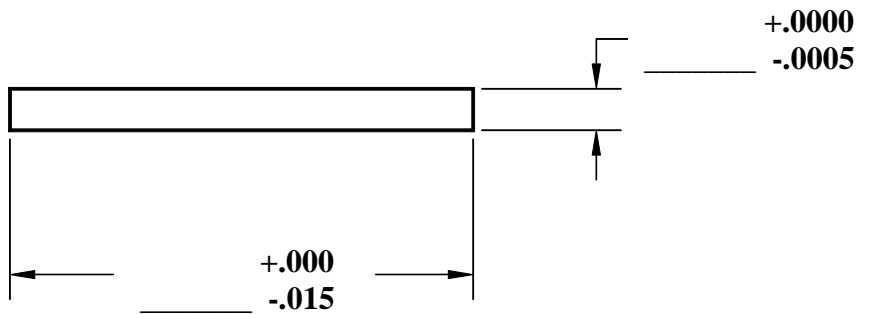
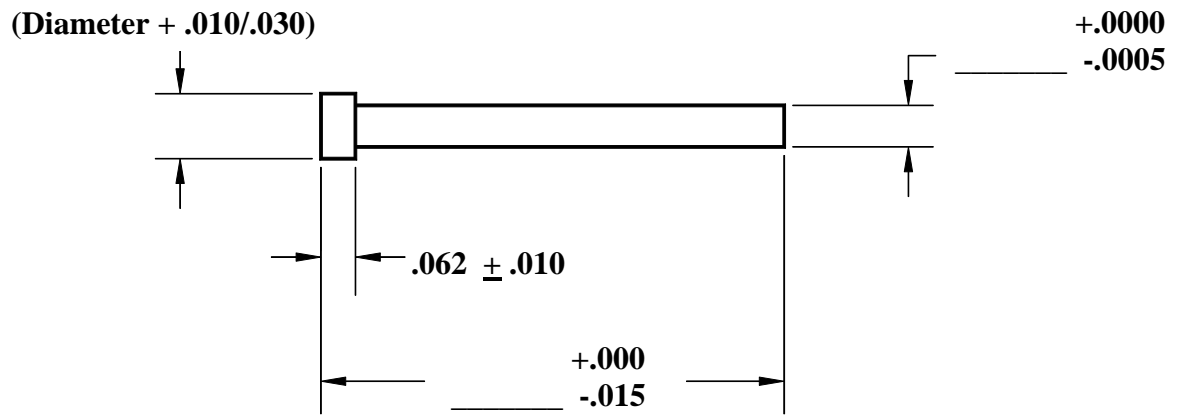
Across Flats $\frac{+.0005}{-.0000}$

M-2 R/C 60-62

Corners are sharp



Knockout Pin

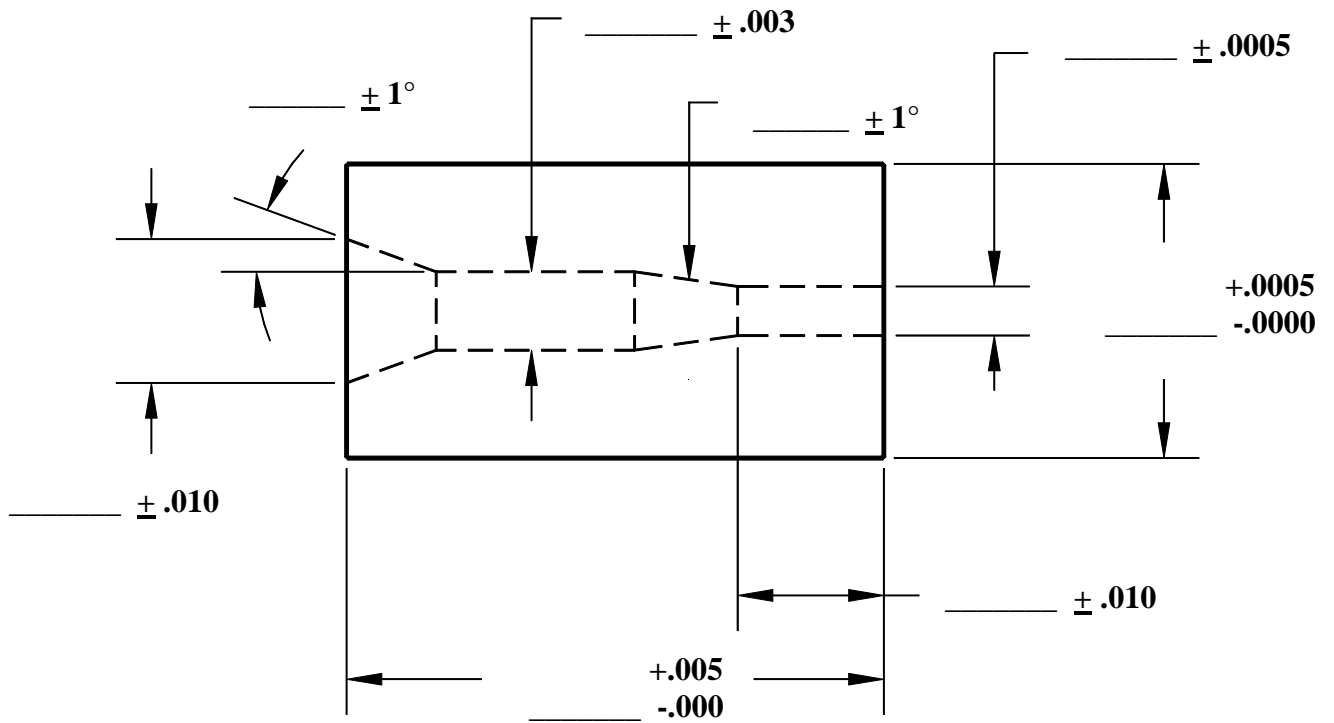


M-2 R/C 60-63

Corners are sharp



Quill

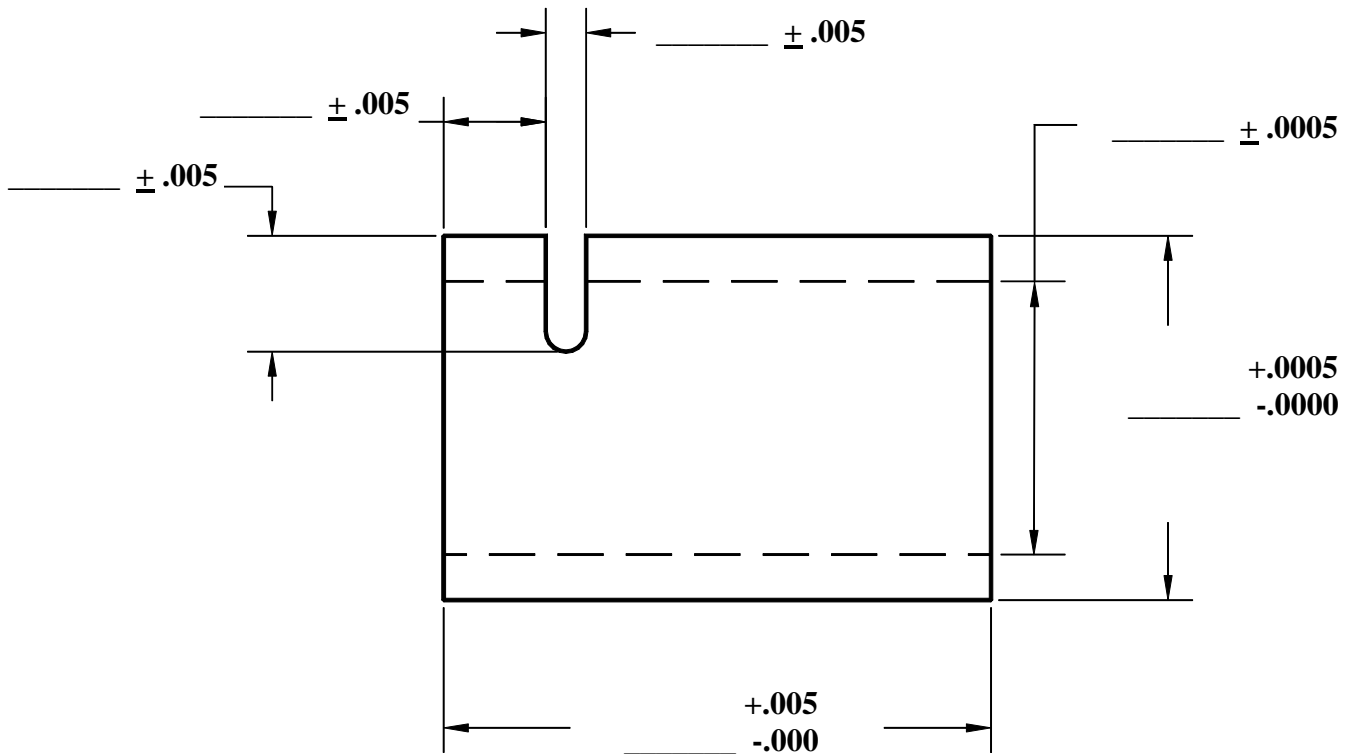


H-13 R/C 47-50

Chamfer O.D. corners



Sleeve

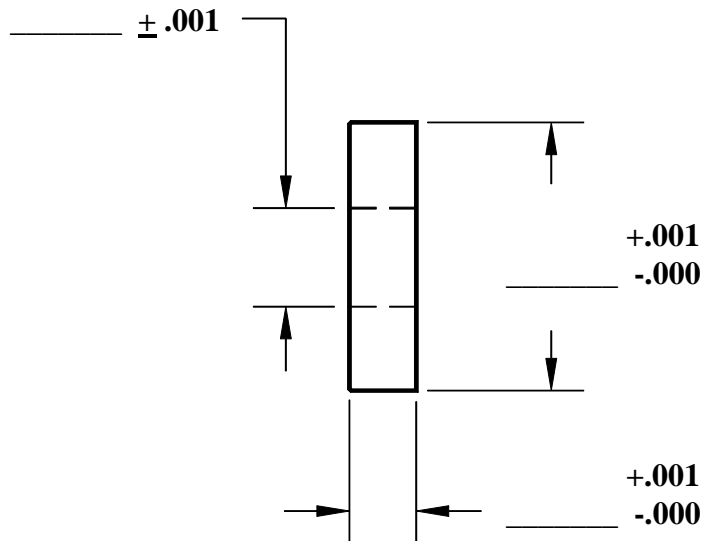


D-2 R/C 58-61

Break O.D. corners



Round Wafer

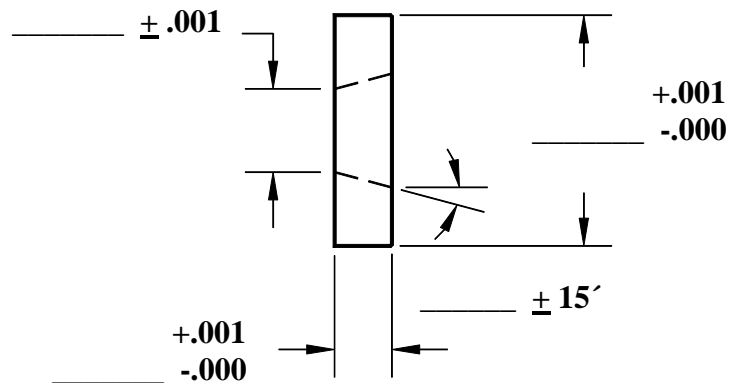
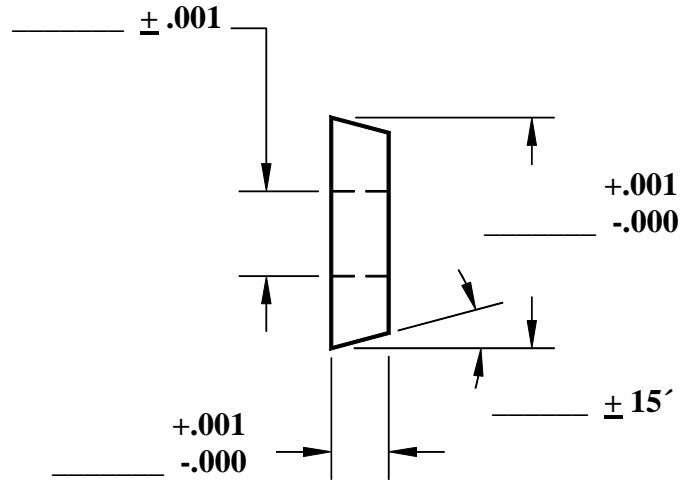


D-2 R/C 57-60

Corners are sharp



Tapered Wafer



D-2 R/C 57-60

Corners are sharp